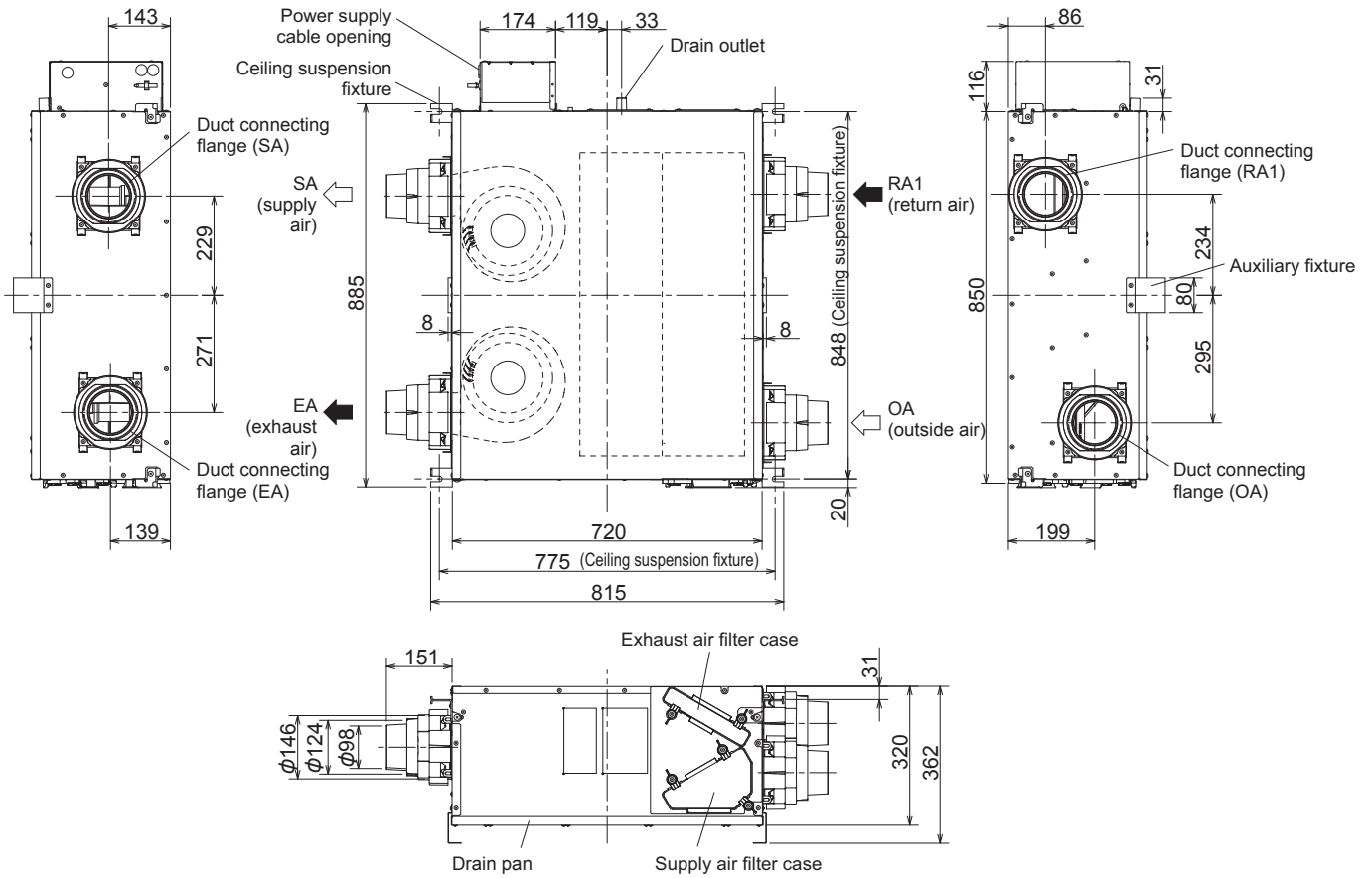


## 2. Outside Dimensions

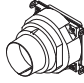


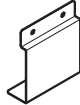

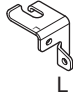


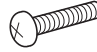



### Lossnay unit

Top view



Unit (mm)

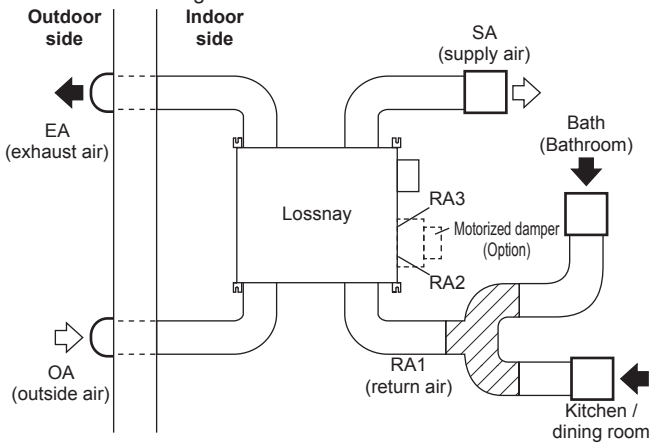
### Accessories

Duct connecting flange: 4 pcs 	Hose band: 2 pcs 	Drain hose: 1 pcs 	Auxiliary fixture: 2 pcs 	Ceiling suspension fixture L: 2 pcs R: 2 pcs  	
Duct connecting flange mounting screw (4-25 mm): 16 pcs (4 pcs x 4 locations) 	Ceiling suspension fixture mounting screw (thin) (5-10 mm) : 4 pcs 	Ceiling suspension fixture mounting screw (fat) (6-12 mm) : 4 pcs 	Auxiliary fixture mounting screw (4-8 mm) : 4 pcs 	Washer: 8 pcs 	Rubber cushions: 8 pcs 

### 3. Standard Installation Examples

#### Piping example

- When connecting the RA (return air) to a bathroom, be sure to branch into two lines and return air from two locations, the bathroom and living room.

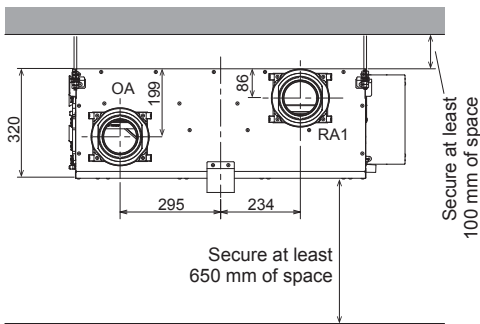


Name of Connection Point		Connection Location
RA (return air)	RA1	For intake from living room, toilet, wash basin, bathroom, etc.
	RA2*	For optional motorized damper (P-133DUE-E) Exclusive for intake from living room, toilet, wash basin, bathroom, etc.
	RA3*	
EA (exhaust air)		For exhaust air of inside air
OA (outside air)		For intake of outside air
SA (supply air)		For air supply opening to living room

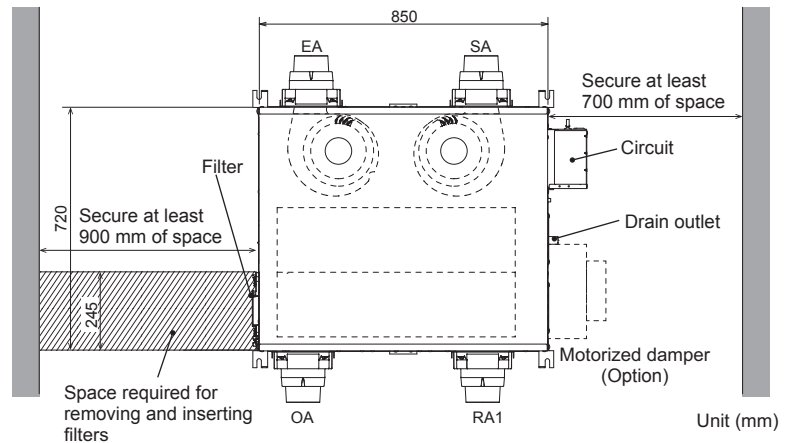
\* When RA2 and RA3 are used, use grills equipped with filter.

#### Working space (required space around Lossnay unit)

##### OA-RA side



##### Top side



##### Connecting drain piping to the drain outlet

If drain piping is not connected, drain water that builds up inside the Lossnay unit cannot be discharged, which may result in water leakage. Please understand that expenses incurred in recovery work shall be borne by the contractor.

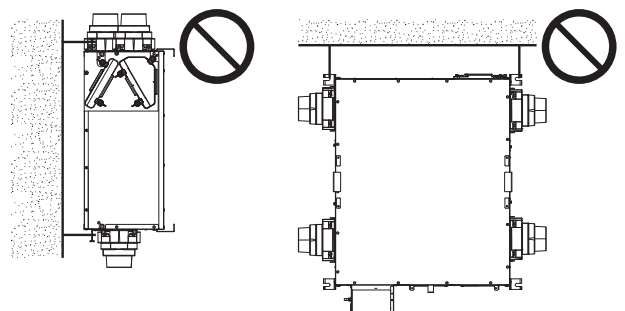
##### Provide an inspection opening at least 745 x 530 mm in size

Locate the inspection opening at a position that allows the Lossnay unit to be carried to its installation site to perform installation work and that allows the worker to go to the installation site to perform maintenance.

If the inspection opening is too small, additional work may unavoidably arise, such as widening of the inspection opening because Electrical work or other work cannot be carried out. Please understand that expenses incurred in additional work shall be borne by the contractor.

##### Do not install as follows:

Do not install Lossnay unit vertically or on an incline.



Do not install the Lossnay unit upside down

