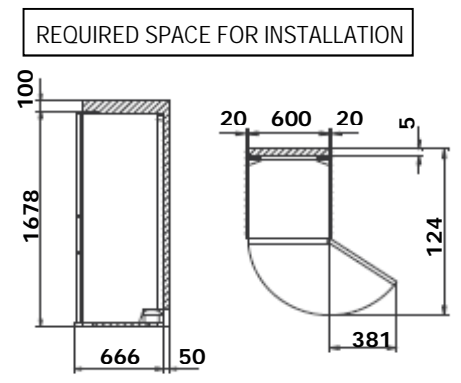
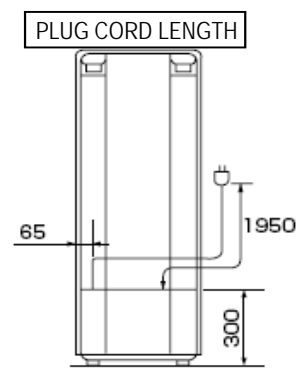
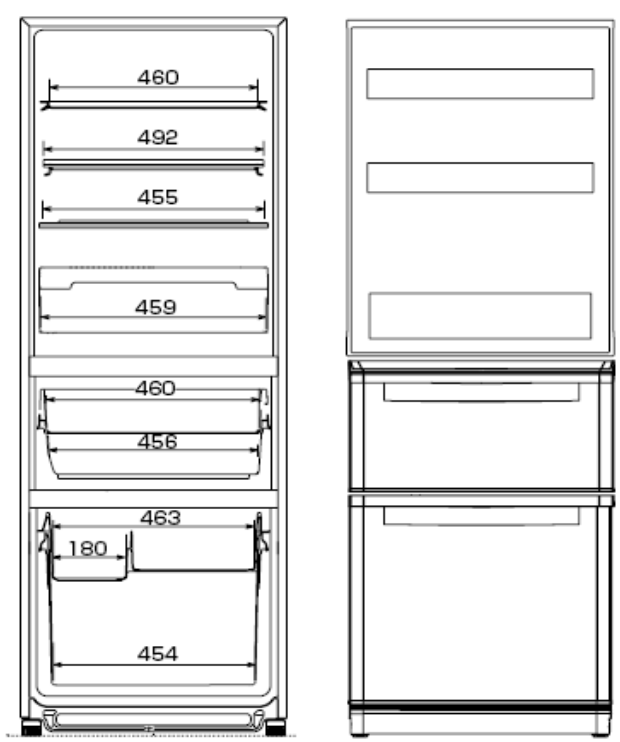
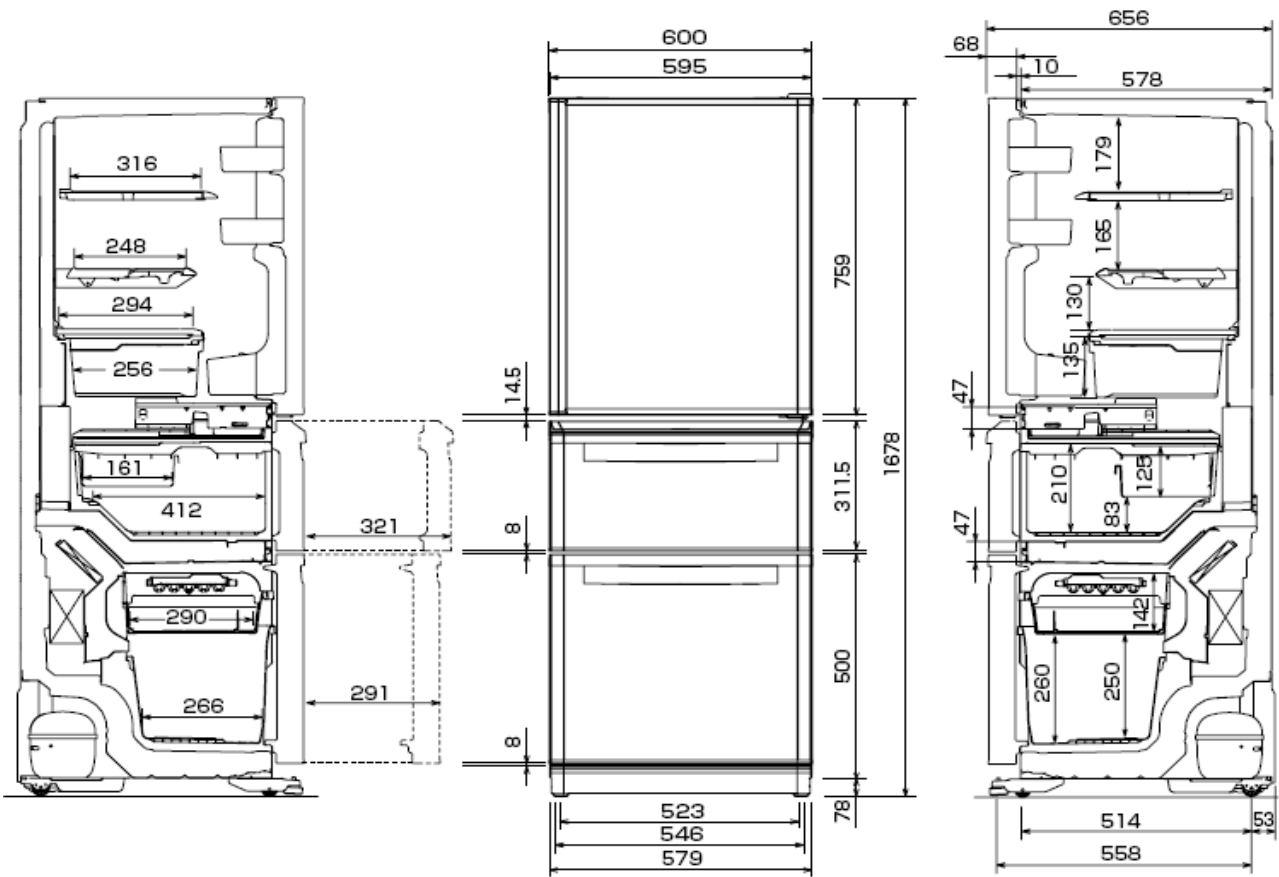


# 2

# OUTLINES AND DIMENSIONS

Unit : mm

MR-C375G-A , MR-C375GL-A

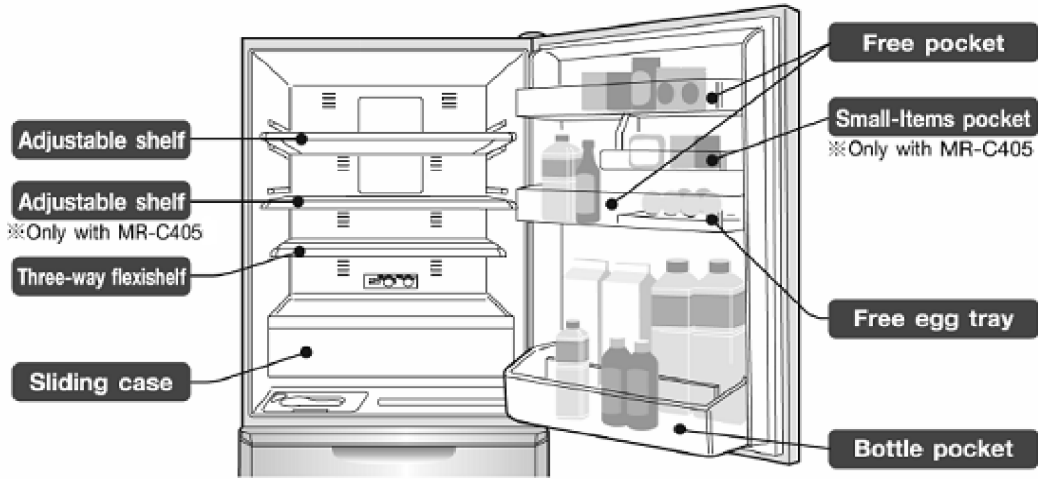


**NAMES OF PARTS**

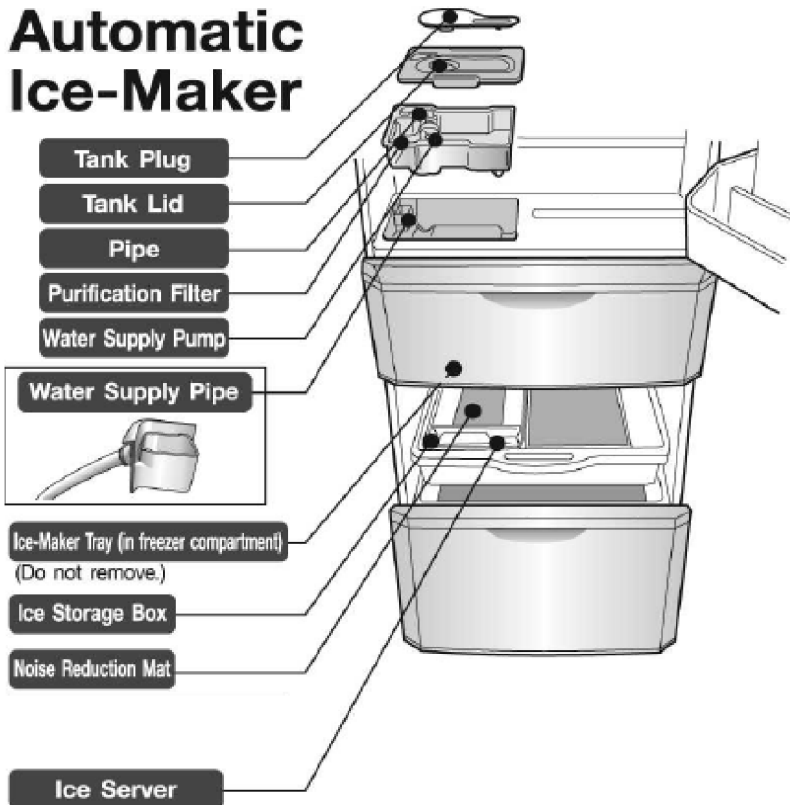
MR-C375G-A MR-C375GL-A

MR-C405G-A MR-C405GL-A

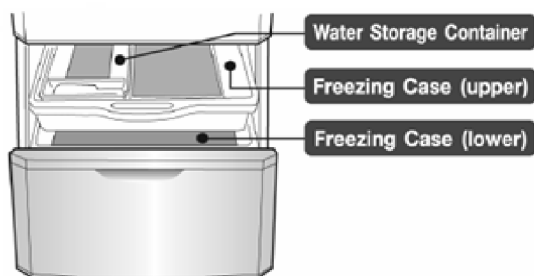
**Refrigerator Compartment**



**Automatic Ice-Maker**



**Freezer Compartment**



**Vegetable Compartment**

